

## Vario-Starpoint VRS-F-M10 with variable length

Artikel-Nr: 8600270



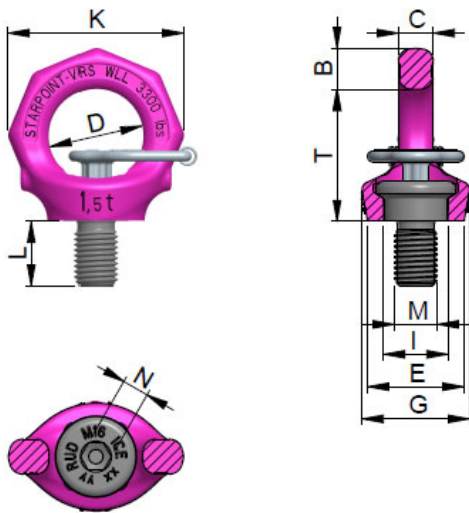
Thread lengths of L= 16-70mm are available. When ordering implicitly indicate the required length.

- Lifting points pivots 360°. Easy adjustment in load direction.
- Not exchangeable RUD-Bolt (this reduces the usage of improper standard bolts).
- Clear marking of the minimum WLL for all loading directions. Higher WLL possible when location and installation is optimised (compare WLL chart / product information).
- Clear marking at the bolt head: RUD, thread size, batch-no.
- Variable bolt lengths available for tapped or through holes.
- Available as: - Standard Metric Thread (DIN EN 13)
- Significant product characteristics of the VRS are subject to property right claims.
- Tested and certified by DGUV. Testing specifications: GS-OA-15-04:2012-05 Certificate No.: OA 1451015
- Complying with the US-Standard (ASME B30.26). Quick and easy installation with just one bolt connection.
- Installation and disassembly without any further tools than the exchangeable Easy-Fit star profile key for singular lifts.
- For permanent installation and recurrent lifts we can offer a special socket wrench to apply the requested torque (fits to a common Inch torque wrench).
- For permanent installation of the lifting point for through hole fixtures we recommend the securing nut acc. to DIN 980-V (standard distribution, washer included), for variable installations with just one lifting action please use collar nut acc. to DIN 6331 (available upon request).
- For special thread lengths in metric sizes, lock nuts (DIN 980-V crack tested) with washer are available. Collar nuts (DIN 6331, crack inspected) optionally on request.

Other important RUD specific information and specialities to our RUD lifting points can be found in the specific user instruction.

## Vario-Starpoint VRS-F-M10 with variable length

Artikel-Nr: 8600270



Nominal WLL	400 kg	880 lbs
<b>T</b>	35 mm	1-3/8"
<b>B</b>	11 mm	7/16"
<b>C</b>	9 mm	11/32"
<b>D</b>	25 mm	63/64"
<b>E</b>	25 mm	63/64"
<b>G</b>	30 mm	1-3/16"
<b>I</b>	16,3 mm	41/64"
<b>K</b>	47 mm	1-7/8"
<b>L</b>	16-70 mm	16-70
<b>M</b>	M10 mm	M10
<b>N</b>	6 mm	15/64"